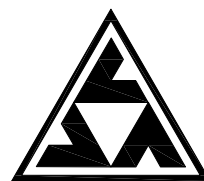
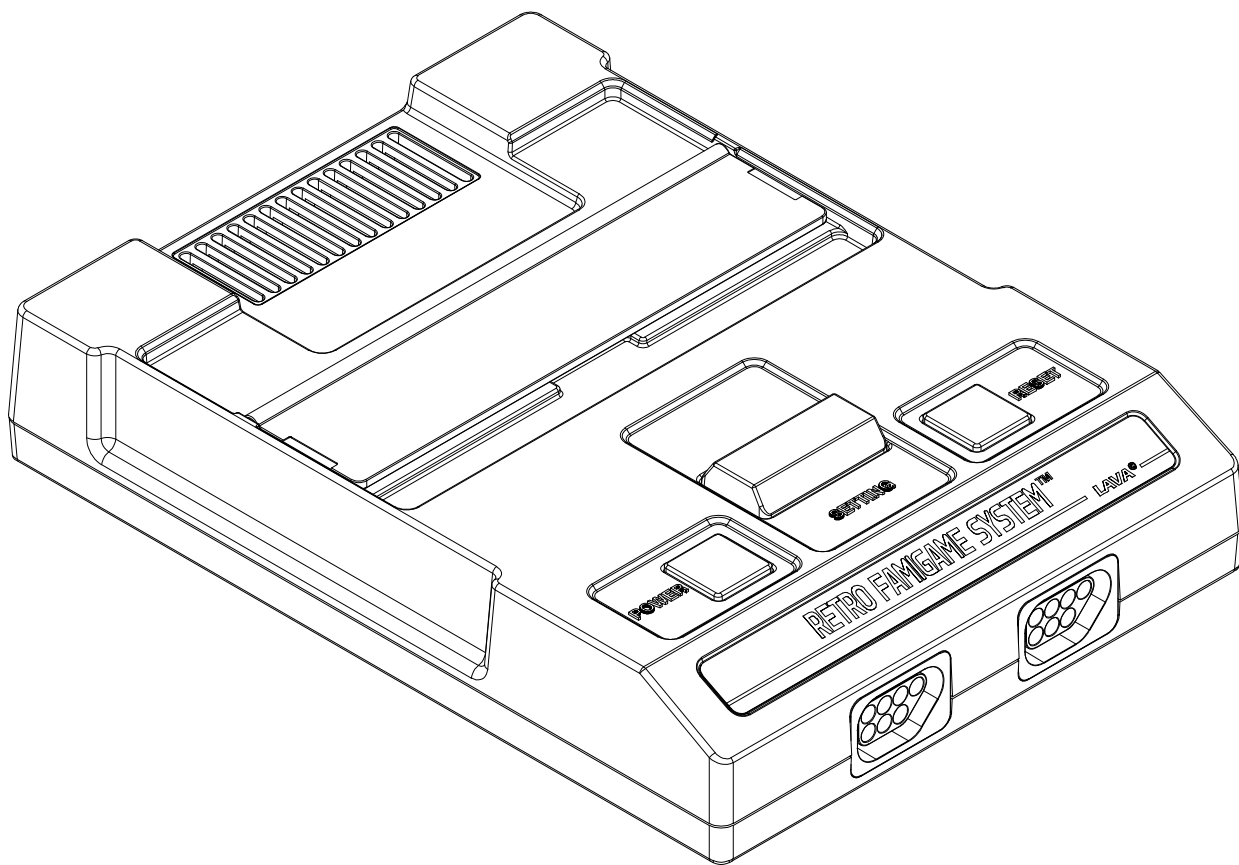


USER MANUAL

LAVA-FC RSC



CONTENT

Please read this User Manual before you start to use the console.
Keep the User Manual for you need it in future.

1. HELLO	2
2. NOTICE	3
3. PACKAGE CONTENT	4
4. INTERFACE OVERVIEW	5
5. NAME & FUNCTION	6
6. SPECIAL FEATURES	7
7. SPECIFICATION	8
8. TROUBLE SHOOTING.....	9
9. CONTACT US	9
10. WARRANTY SERVICE	10
11. PARTIAL LIFE TIME WARRANTY	10

HELLO

Dear Friend:

Thanks for purchasing this fantastic Retro Fami Game System LAVA-FC RSC. It's a newly developed original chip based with FPGA video processing Fami Game system designed and made by LAVA-STUDIO. Excellent compatibility with various of FAMILCOM cartridge is one of the highlight features of LAVA-FC, it compatible with original FAMILCOM cartridge and even all kinds of other FAMILCOM cartridge you can find in the world, also you can run NES cartridge with an converter. LAVA-FC RSC out puts RGBS, S-Video and Composite Video with amazing video quality and sound quality. Easy palette switching by physical button , over 100 customizable palettes to choose from, firmware update via Micro SD card keeps your console always up to date. New developed controller connector with gold-plated brass pins makes sure every plug stable. High quality plastic moulding housing with classic FAMILCOM looking bring you the real childhood memory.

We all believed that quality is regarded as the life of products, LAVA-STUDIO controls the quality from design to production to ensure every LAVA-FC delivered to customer in the best condition. We do it because we are not only the developer or producer but also the FAMILCOM manias.

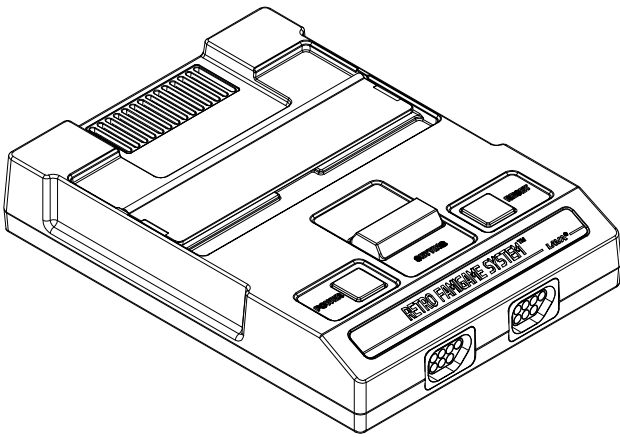
Enjoy Your LAVA-FC RSC Retro Fami Game System!

Yours LAVA-STUDIO
Nov. 2024

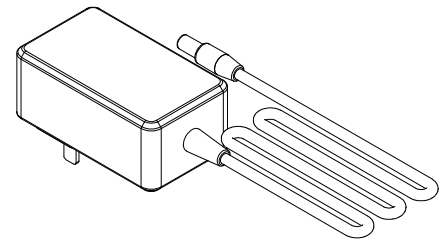
NOTICE

01. Please use proper force to mount the cartridge into the connector. Too big force will damage the console.
02. Turn off the power when mount or dismount the cartridge.
03. Dust will cause failure with the cartridge connection, please cover the cartridge connector after use.
04. Keep the console from heat, never cover the ventilation holes on the housing when power on.
05. Never drop down or hit the console.
06. AC adapter may warm up when it's working, no worry. Please unplug it after use.
07. Never disassemble or modify the console and accessories.
08. Please keep proper distance from the screen when playing games.
09. For your health, please take a rest for 10-15 minutes every 2 hours when playing games.
10. Indoor use only, never use the console outdoor.

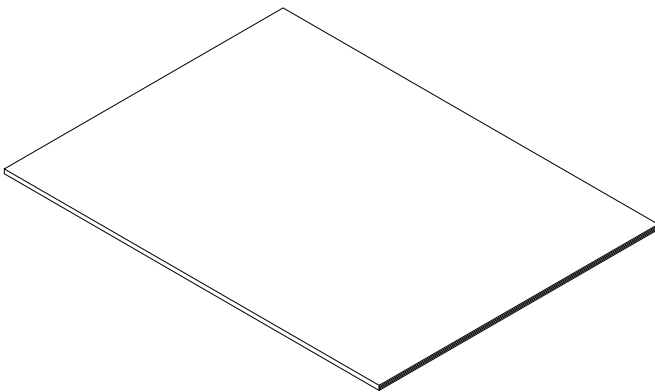
PACKAGE CONTENTS



LAVA-FC RSC
x 1

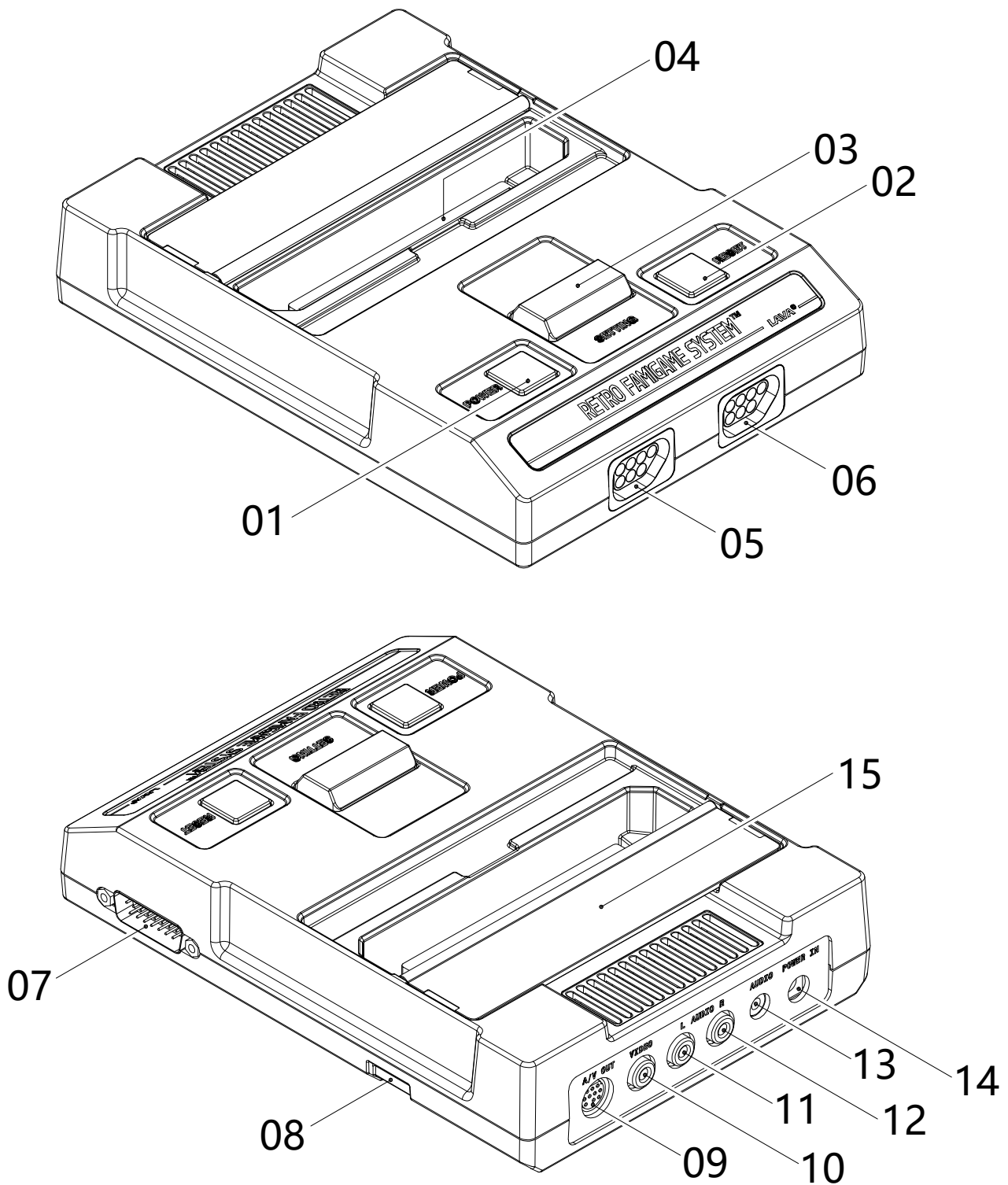


POWER ADAPTER
x 1



USER MANUAL
x 1

INTERFACE OVERVIEW



INTERFACE & FUNCTION

01 POWER

Push down to turn ON / OFF.

02 RESET

Push down to rest the game. Score will be deleted after reset.

03 SETTING

Palette switching button.

04 CARTRIDGE CONNECTOR

Mount the FAMICOM cartridge.

05 PLAYER 1 CONTROLLER CONNECTOR

Plug controller 1 here. It compatible with original NES controller, AV FAMICOM controller and other 7P plug controller.

06 PLAYER 2 CONTROLLER CONNECTOR

Plug controller 2 here. It compatible with original NES controller, AV FAMICOM controller and other 7P plug controllers.

This connector supports original NES Zapper.

07 EXPAND CONNECTOR

Connect accessories with DB15 connector.

08 MICRO SD SLOT

Update the console's firmware via Micro SD card.

09 A / V OUT

Mini DIN 10P Connector for RGBS, S-Video, Composite Video and Sound output. Compatible with SEGA SATURN RGBS cable.

10 VIDEO

RCA connector for Composite Video output.

11 AUDIO L

RCA connector for Audio channel L.

12 AUDIO R

RCA connector for Audio channel R.

13 AUDIO

Standard 3.5mm Jack for sound output.

14 POWER IN

5.5mm x 2.1mm jack for power supply.

15 DUST COVER

Dust proof cover for cartridge connector.

SPECIAL FEATURES

01. PALETTE SWITCHING

Usually we have 4 palettes in the normal firmware, we can switch between different palettes by the following ways:

1. Push "SETTING" button on the console to switch the palettes.
2. Press and hold "SELECT" button for 3 seconds, then press "UP" on control pad to switch the palettes.

The name of selected palette will be displayed on top-right screen when switching the palettes.

02. RESET THE GAME

We have 2 ways to reset the game:

1. Push "RESET" button on the console.
2. Press and hold "SELECT" button for 3 seconds, then press "A" button on control pad to reset the game.

03. FIRMWARE UPDATE

LAVA-FC RSC supports firmware update via Micro SD card. Please visit our official web site: www.lava-fc.top for the latest firmware.

1. Format SD card to FAT32 on your PC.
2. Unzip and copy file "LavaRSC.aje" to root of the SD card.
3. Power off the LAVA-FC RSC console, dismount the cartridge.
4. Insert the SD card to the Micro SD slot.
5. Power on the LAVA-FC RSC console, updating will start automatically. The red indicator(see figure 1) beside cartridge connector starts blinking for 2-4 minutes .
6. When the update is finished, the indicator stops blinking and lights up. Power off the console and dismount the SD card.

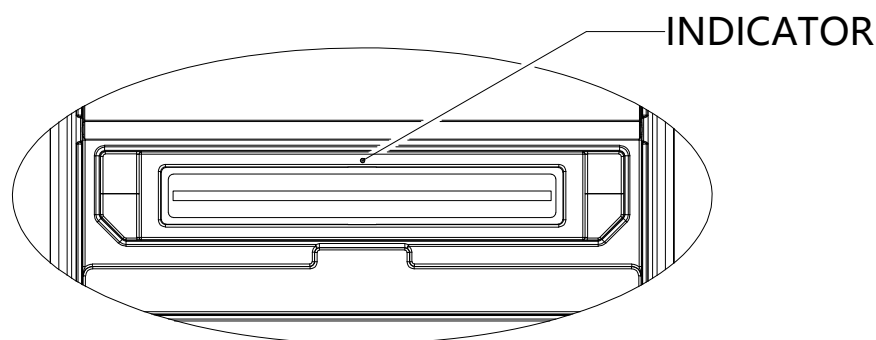


FIGURE 1

SPECIFICATION

MODEL NO.	LAVA-FC RSC
RATED POWER	9V 1.5A DC
OUTPUT INTERFACE	MINI DIN 10P, RCA, 3.5mm AUDIO JACK
VIDEO FORMAT	RGBS, S-VIDEO, COMPOSITE VIDEO
RESOLUTION	256 x 240 PIXELS
CPU MOUNTED	RP2A03E / RP2A03G / RP2A03H
PPU MOUNTED	RP2C02E / RP2C02G / RP2C02H
FPGA MODEL	EF2L15LG100B
FIRMWARE UPDATE	VIA Micro SD card
CARTRIDGE SUPPORT	FAMICOM CARTRIDGE, N8 Pro ...
ACCESSORIES	POWER ADAPTER x 1
DIMENSIONS	L:180mm x W:132mm x H:41mm
WEIGHT	340g

REMARK: We may update the software and hardware without inform you in advance.

TROUBLE SHOOTING

01. CAN NOT POWER ON

Please check if the power adapter plug in the right way.

02. NO VIDEO OUTPUT

1.Check if the A/V cable connected in the right way.

2.Replace the A/V cable.

03. CAN NOT RUN THE GAME

1.Check if the cartridge connected properly.

2.Clean the connecting finger on the cartridge.

04. VIDEO CORRUPTION

1.Please make sure you use the right one power adapter.

2.Clean the connecting finger on the cartridge and remounting it.

CONTACT US

E-MAIL: 916316559@qq.com

WEB SITE: www.lava-fc.top

GITHUB: <https://github.com/v5100v5100>



www.lava-fc.top



Scan with Goofish App

WARRANTY SERVICE

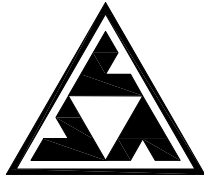
If the LAVA-FC you purchased from us ceases operation within 365 days of the shipping date, then the defective product can be sent back to us for replacement. The customer is responsible for the shipping costs to get the product back to us. LAVA-STUDIO will cover shipping costs to return product to the customer.

PARTIAL LIFETIME WARRANTY

Also we provide a partial lifetime warranty service for all LAVA-FC products.

Even if the period 365 days after the purchase has expired we can try to fix your device for free (if it is possible).

Partial lifetime warranty doesn't cover device replacement.



Designed and Made
By LAVA-STUDIO
©2024 **LAVA STUDIO**

USER MANUAL REV 1.0
©2024 OS-STUDIO
All Rights Reserved